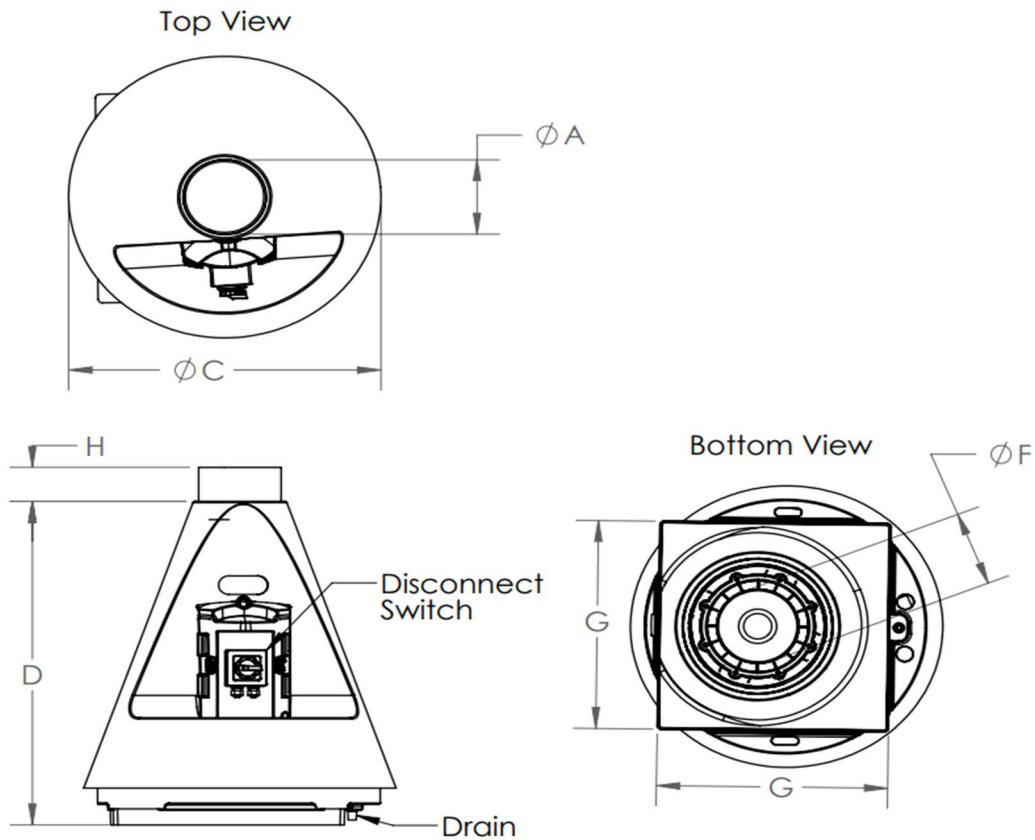




# JET 20



### Mechanical Data

	ØA (OD)	ØC	D	ØF (OD)	G	H	Drain Ø
in	6.29	23.58	30.77	6.29	22.1	1.55	0.94
mm	160	600	783	160	563	39.5	24

<b>Project Name</b>	
<b>Date</b>	
<b>Engineer/Sales Rep</b>	
<b>Client</b>	
<b>Contractor</b>	

Property rights to all drawings, details, representations, ideas, data, notes and specifications either copies or originals thereof that may be incorporated into the design and/or project are the property solely of Plastec ventilation, inc. Permission for any copies of said copyrighted materials, drawings, details, representations, ideas, data, notes and specifications either originals or copies thereof to be made, copied or altered by any person, business, or corporation may only be authorized with the expressed written permission of Plastec ventilation, inc. By the use of this data, the user acknowledges that he/she has read and understand all of the notes included herein.



# JET 20

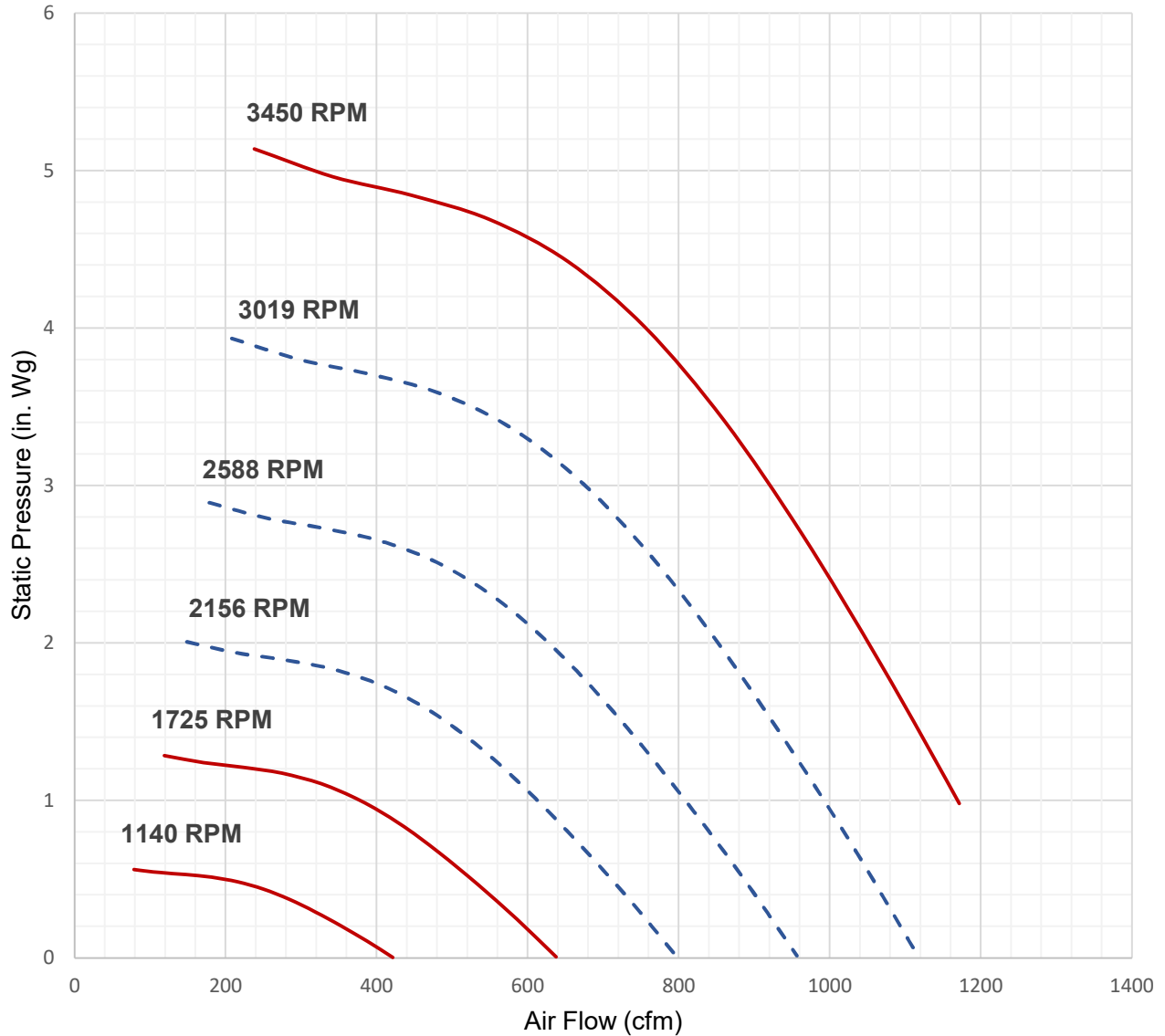
## Model Numbers

Model Number	Max. Flow (cfm)	Min. Flow (cfm)	Max. Static (in. Wg)	Min. Static (in. Wg)	Phase	Power (hp)	RPM	Voltage (V)	FLA	Weight (lb)
J20SS6P025	420	150	0.45	0.1	Single Phase	0.25	1120	115/208-230	4.16/2.26-2.08	30.9
J20SS2P150	1250	150	4.2	0.1	Single Phase	1.5	3435	115/208-230	12.50/7.24-6.24	38.3
J20SS4P033	630	150	1	0.1	Single Phase	0.33	1720	115/208-230	3.49/1.88-1.74	26.9
J20ST6P025	420	150	0.45	0.1	Three Phase	0.25	1120	208-230/460	1.33-1.25/0.62	26.5
J20ST4P033	630	150	1	0.1	Three Phase	0.33	1715	208-230/460	1.43-1.39/0.70	25.3
J20ST2P150	1250	150	4.2	0.1	Three Phase	1.5	3510	208-230/460	4.14-4.10/2.05	37.5
J20CT2P150	1250	150	4.2	0.1	Three Phase	1.5	3510	575	1.64	37.5
J20CT4P033	630	150	1	0.1	Three Phase	0.33	1700	575	0.53	25.3

Property rights to all drawings, details, representations, ideas, data, notes and specifications either copies or originals thereof that may be incorporated into the design and/or project are the property solely of Plastec ventilation, inc. Permission for any copies of said copyrighted materials, drawings, details, representations, ideas, data, notes and specifications either originals or copies thereof to be made, copied or altered by any person, business, or corporation may only be authorized with the expressed written permission of Plastec ventilation, inc. By the use of this data, the user acknowledges that he/she has read and understand all of the notes included herein.



## Performance Curve



— Standard RPM      - - - Frequency Variation

Property rights to all drawings, details, representations, ideas, data, notes and specifications either copies or originals thereof that may be incorporated into the design and/or project are the property solely of Plastec ventilation, inc. Permission for any copies of said copyrighted materials, drawings, details, representations, ideas, data, notes and specifications either originals or copies thereof to be made, copied or altered by any person, business, or corporation may only be authorized with the expressed written permission of Plastec ventilation, inc. By the use of this data, the user acknowledges that he/she has read and understand all of the notes included herein.



# JET 20

## Acoustic Data

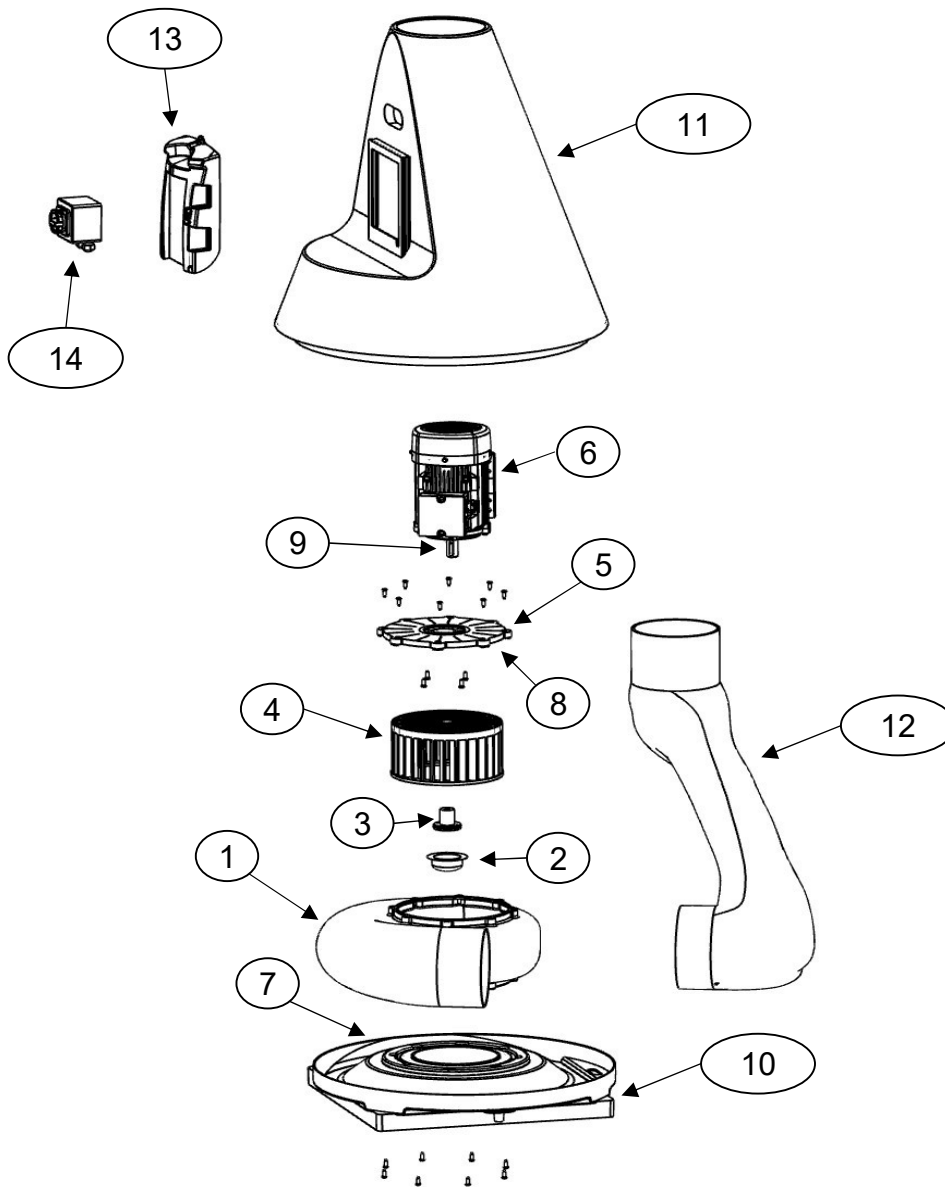
		Qv	Ps	Octave Band (Hz)								Lw	Lw(A)	Lp(A)
		(cfm)	(inwg)	63	125	250	500	1000	2000	4000	8000	dB	dB(A)	dB(A)
<b>3450 RPM</b>	Inlet 1	1275	0.02	78.6	86.5	83.5	80.0	79.1	72.9	72.2	72.2	97.9	90.4	88.3
	Inlet 2	983	2.44	74.2	83.1	77.8	76.8	75.8	70.4	69.3	63.6	93.7	87.4	85.3
	Inlet 3	653	4.27	72.5	78.9	73	74.6	73.5	68.2	66.4	59.6	90.4	84.8	82.7
	Outlet 1	1275	0.02	84.7	83.9	85.9	87.0	77.1	73.6	71.3	65.5	98.6	91.9	89.9
	Outlet 2	983	2.44	81.1	79.0	83.4	83.3	73.6	70.6	67.9	61	95.2	89.0	86.9
	Outlet 3	653	4.27	80.8	74.5	78.5	80.3	70.9	67.9	64.7	56.6	92.7	86.2	84.1
<b>1725 RPM</b>	Inlet 1	637	0.00	63.6	71.5	68.4	65.0	64.1	57.9	57.1	57.2	82.9	75.3	73.3
	Inlet 2	491	0.61	59.1	68.1	62.8	61.8	60.8	55.4	54.3	48.6	78.7	72.3	70.3
	Inlet 3	327	1.07	57.5	63.8	57.9	59.6	58.4	53.1	51.3	44.6	75.4	69.7	67.7
	Outlet 1	637	0.00	69.7	68.9	70.8	71.9	62.1	58.5	56.2	50.4	83.6	76.9	74.8
	Outlet 2	491	0.61	66.0	63.9	68.4	68.3	58.6	55.5	52.9	45.9	80.2	73.9	71.9
	Outlet 3	327	1.07	65.8	59.5	63.5	65.3	55.8	52.8	49.7	41.5	77.6	71.1	69.0
<b>1140 RPM</b>	Inlet 1	421	0.00	54.6	62.5	59.4	56.0	55.1	48.9	48.1	48.2	73.9	66.3	64.3
	Inlet 2	325	0.27	50.1	59.1	53.8	52.8	51.8	46.4	45.3	39.6	69.7	63.3	61.3
	Inlet 3	216	0.47	48.5	54.8	49	50.6	49.4	44.1	42.3	35.6	66.4	60.7	58.7
	Outlet 1	421	0.00	60.7	59.9	61.8	63.0	53.1	49.5	47.2	41.4	74.6	67.9	65.8
	Outlet 2	325	0.27	57.0	54.9	59.4	59.3	49.6	46.5	43.9	37	71.2	64.9	62.9
	Outlet 3	216	0.47	56.8	50.5	54.5	56.3	46.8	43.8	40.7	32.5	68.6	62.1	60.1

Property rights to all drawings, details, representations, ideas, data, notes and specifications either copies or originals thereof that may be incorporated into the design and/or project are the property solely of Plastec ventilation, inc. Permission for any copies of said copyrighted materials, drawings, details, representations, ideas, data, notes and specifications either originals or copies thereof to be made, copied or altered by any person, business, or corporation may only be authorized with the expressed written permission of Plastec ventilation, inc. By the use of this data, the user acknowledges that he/she has read and understand all of the notes included herein.



# JET 20

## Expanded View



1	Housing
2	Hub Cap
3	Hub
4	Impeller
5	Motor Plate
6	Motor
7	Inlet Gasket
8	Motor Plate Seal
9	Shaft Key
10	Base
11	Cone
12	Exhaust Manifold
13	Door
14	Disconnect Switch

Property rights to all drawings, details, representations, ideas, data, notes and specifications either copies or originals thereof that may be incorporated into the design and/or project are the property solely of Plastec ventilation, inc. Permission for any copies of said copyrighted materials, drawings, details, representations, ideas, data, notes and specifications either originals or copies thereof to be made, copied or altered by any person, business, or corporation may only be authorized with the expressed written permission of Plastec ventilation, inc. By the use of this data, the user acknowledges that he/she has read and understand all of the notes included herein.